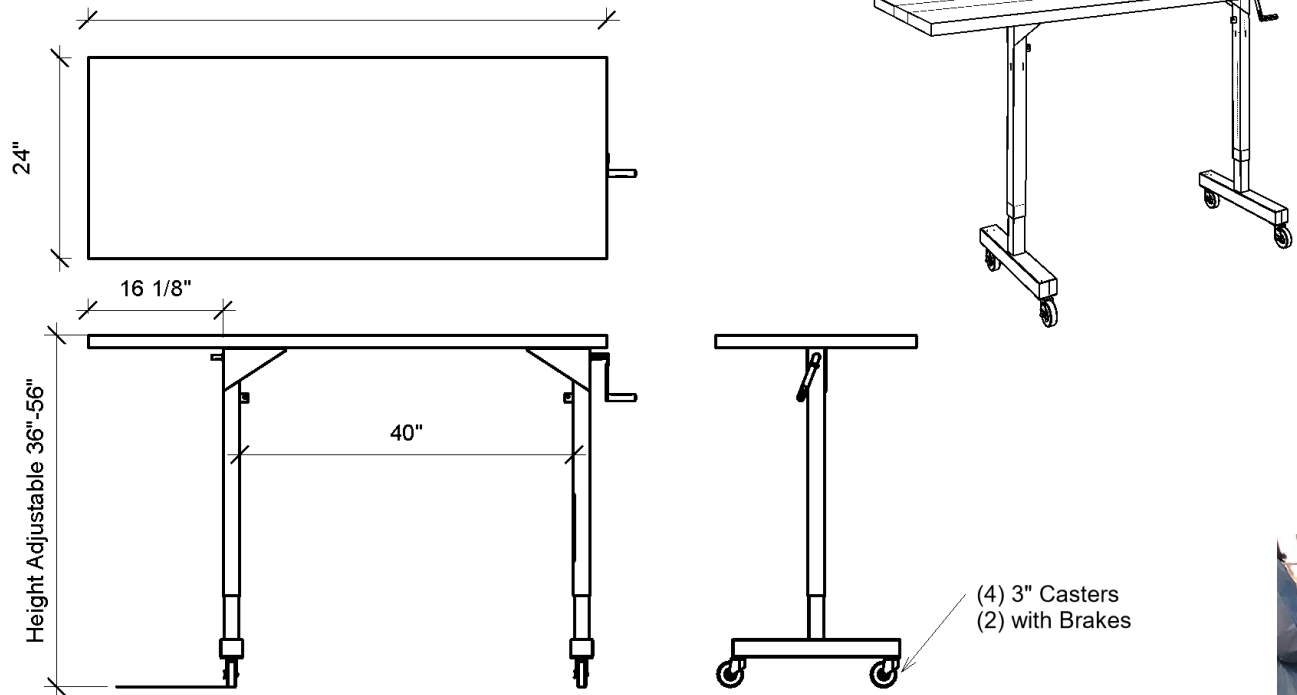


# 62" Blickman CRT Table

**BLICKMAN**

Model #: 7895SS-O CRT

Item #: 0157895062



Orthopedic  
Surgery

Electrophysiology  
Lab CRT & Extraction

Neuro  
Surgery

Designed to adjust to the height of the patient table during CRT implantation & extraction. Extension allows for RAO camera rotation without hitting the legs of the table.

## To Order

Email: [info@blickman.com](mailto:info@blickman.com) or  
Call: (800) 247-5070

## Ask For:

62" Blickman CRT Table  
Model #: 7895SS-O CRT  
Item #: 0157895062

