



TABLES

Engineered for a Lifetime — Our Reputation is Stainless

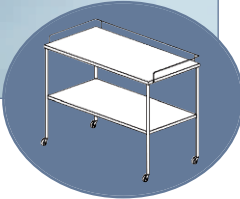


**BLICKMAN
BUILT™**

NESTED INSTRUMENT TABLES
INSTRUMENT TABLES
ANESTHESIA/UTILITY TABLES
ADJUSTABLE HEIGHT TABLES
WORK TABLES



7835SS



Options: Guard rails and drawers.



7845SS



7821SS

INSTRUMENT TABLES (HOWARD, SAWYER AND NESTED MODELS)

Blickman Instrument Tables offer complete 18 gauge, 304 stainless construction. Lightweight yet extremely durable. *Sanitary* closed top hem prevents bacterial build-up. *Sealed* reinforcing channels provide structural rigidity. 1-1/4" diameter legs are fully welded for strength and stability. There is a 16" clearance between shelves on the Howard Models. The Sawyer Model has an H-brace in lieu of a second shelf. H-braces are fully welded around the legs with no crevices for dirt to collect. All tables travel on three-inch casters.

Model No.	Part No.	Dimensions Overall (WxDxH)	Feature	Ship Wt. (lb) est.
-----------	----------	----------------------------	---------	--------------------

SHELF MODELS

7829SS	0117829000	30" x 16" x 34"	shelf	40
7830SS	0117830000	20" x 16" x 34"	shelf	32
7831SS	0117831000	33" x 18" x 34"	shelf	47
7832SS	0117832000	36" x 20" x 34"	shelf	52
7833SS	0117833000	36" x 24" x 34"	shelf	56
7834SS	0117834000	48" x 20" x 34"	shelf	66
7835SS	0117835000	48" x 24" x 34"	shelf	69
7836SS	0117836000	60" x 24" x 34"	shelf	133
7837SS	0117837000	72" x 24" x 34"	shelf	141
3026SS	0113026000	30" x 26" x 34"	shelf	55

H-BRACE MODELS

7839SS	0127839000	30" x 16" x 34"	H-brace	33
7840SS	0127840000	20" x 16" x 34"	H-brace	28
7841SS	0127841000	33" x 18" x 34"	H-brace	39
7842SS	0127842000	36" x 20" x 34"	H-brace	42
7843SS	0127843000	36" x 24" x 34"	H-brace	48
7844SS	0127844000	48" x 20" x 34"	H-brace	53
7845SS	0127845000	48" x 24" x 34"	H-brace	56
7846SS	0127846000	60" x 24" x 34"	H-brace	106
7847SS	0127847000	72" x 24" x 34"	H-brace	114
3026SSH	0123026100	30" x 26" x 34"	H-brace	50

Options: GR denotes 3 sided guard rail.

NESTED INSTRUMENT TABLES are a space saving alternative with a unique design that requires only 8 sq. ft. of floor space but yields 31 sq. ft. of usable workspace. They can be ordered individually or as a complete set.

Model No.	Part No.	Dimensions (WxDxH)	Ship Wt. (lb) est.
7821SS	0137821000	Complete set of six	300
7822SS	0137822000	48" x 24" x 42"	110
7823SS	0137823000	44" x 22" x 40"	90
7824SS	0137824000	40" x 20" x 38"	80
7825SS	0137825000	36" x 18" x 36"	60
7826SS	0137826000	32" x 16" x 34"	50
7827SS	0137827000	28" x 14" x 32"	40



ANESTHESIA/UTILITY TABLES are popular in the OR and throughout healthcare facilities as a general utility cart. Blickman's superior construction adds a supporting channel underneath the top shelf to enhance its strength; a positive stop to prevent accidental drawer removal and ball bearing slides for an easy-sliding drawer. Travels easily on 3" casters. Choose one to four drawers depending on your requirement.

Model No.	Part No.	Dimensions (WxDxH)	Drawers	Ship Wt. (lb) est.
7850SS (Ferguson)	0217850000	20" x 16" x 34"	1	46
7754SS (George)	0227754000	20" x 16" x 34"	2	59
7857SS (Saturn)	0237857000	20" x 16" x 34"	3	72
7859SS (Galaxy)	0247859000	20" x 16" x 34"	4	82

Options: Two 10" drop leaf shelves, crutch tips, larger diameter casters, and guard rail on four sides.



MODEL 7852SS UTILITY TABLE (ALLEN) is an all purpose table, which offers two solid shelves and a continuous guard rail welded onto the legs on all four sides to protect supplies and equipment. Travels easily on 3" casters.

Model No.	Part No.	Dimensions (WxDxH)	Ship Wt. (lb) est.
7852SS	0257852000	20" x 16" x 34"	31

Options: Glides, crutch tips, larger diameter casters. Consult Factory.

All standard Blickman, Inc. Howard and Sawyer table models can be ordered for MR Conditional use. Consult factory for details: 800-247-5070.





7856SS

MODEL 7856SS UTILITY TABLE (CRESCENT) is a combination utility-work table, which provides a large work surface and storage in two, four-inch deep drawers housed below the work surface. A continuous guard rail on three sides protects contents. Travels easily on three-inch casters.

Model No.	Part No.	Dimensions (WxDxH)	Ship Wt. (lb) est.
7856SS (with H-Brace)	0317856000	36" x 20" x 34"	78
7856SH (with Shelf)	0317856003	36" x 20" x 34"	81

Options: Glides, crutch tips, larger diameter casters.

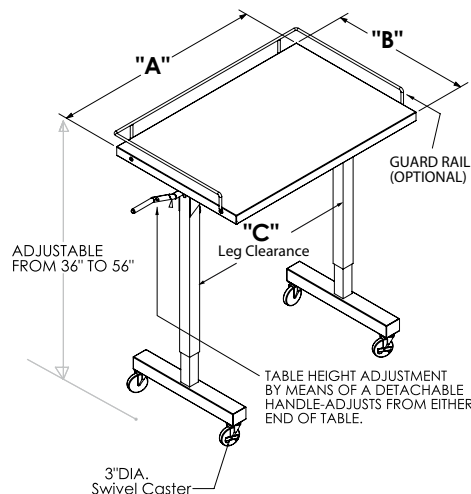
ADJUSTABLE HEIGHT INSTRUMENT TABLES (GEORGETOWN)

are designed to straddle the OR table, and offer twenty inches of travel to accommodate changes in table position during neuro, cardiac and orthopedic surgery. When used in general surgery, the table can be adjusted to accommodate the varying heights of personnel. This model can be adjusted manually from either side with a detachable crank handle. Tables travel easily on four, 3" casters, two casters with brakes.



7895SS-0

Model No.	Part No.	Dimensions		Leg Clearance	Height Adjustment	Ship Wt. (lb) est.
		(Width)	(Depth)			
7892SS-0	0157892000	"A"=36"W	"B"=20"D	"C"=28"	36"-56"	140
7893SS-0	0157893000	"A"=36"W	"B"=24"D	"C"=28"	36"-56"	150
7895SS-0	0157895000	"A"=48"W	"B"=24"D	"C"=40"	36"-56"	160
7896SS-0	0157896000	"A"=34"W	"B"=46"D	"C"=26"	36"-56"	175





7900 SERIES MOTORIZED ADJUSTABLE HEIGHT INSTRUMENT TABLES (LIBERTY) are easily maneuvered around any space, glide up or down effortlessly and straddle the surgery table. Manufactured to Blickman's consistently high standards, the 7900 Series Motorized Table helps make the surgical setup more efficient-before, during and after the procedure.

MATERIALS:

TOP: Stainless steel type, 304, 16 gauge, non-magnetic, 18-8

SUB-TOP: Stainless steel type, 304, 11 gauge, non-magnetic, 18-8

BASE: Stainless steel type 304, 14 gauge, non-magnetic, 18-8

CONSTRUCTION: Top is turned-down 1-3/4" (4.4cm) on all sides, with welded corners and securely fastened to a stainless steel sub top and perimeter angle frame. Underside is tilted with an impact-resistant, microprocessor-equipped control box and closed-end channel caps providing platforms to which the lifting columns are mounted. Cable leads from the control and junction boxes to the columns are concealed by a removable enclosure channel.

Telescoping aluminum lifting columns are fastened between the table top and rectangular-shaped, reinforces bases equipped with swivel casters. Once of the telescopic legs contains a power-cord cleat and hand-set rest.

WELDING: All welding by heli-arc method, all exposed welds are ground smooth.

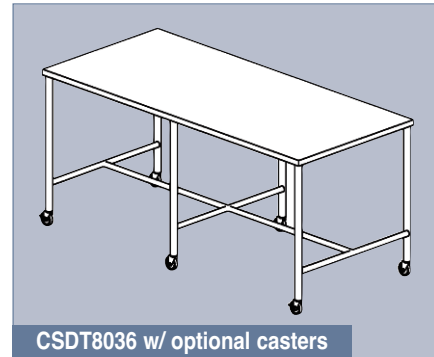
FINISH: All exposed stainless steel surfaces are free from pit marks, weld seams and scale, and polished to satin finish. Lifting columns are matte anodized aluminum.

CASTERS: 4" diameter (10.16cm) anti-static swivel caster with brakes.

Electrical Ratings:
100-120VAC, 15AMP, 60Hz



Model No.	Part No.	Width	Depth	Height Adjustment	Gauge Top	Gauge Sub-Top	Gauge Bases	Clearance Between Bases
7901SS-M	0157901000	50.50"	24"	38.75"-58"	16	11	14	38.375"
7902SS-M	0157902000	41.00"	46"	38.75"-58"	16	11	14	29"



WORK TABLES are designed for use as prep tables for sterile processing departments but can be used for any application requiring a heavy-duty table with a large surface area. H-brace model comes in three sizes and offers optional shelf placement, 16" high.

Legs made from 1-5/8" x 16 gauge stainless steel round tubing for added strength and stability.

Model No.	Part No.	Dimensions (WxDxH)	Feature	Drawers	Ship Wt. (lb) est.
CSDT6830	0336830000	68" x 30" x 36"	H-Brace	0	240
CSDT6830S1	0336830100	68" x 30" x 36"	shelf	0	260
CSDT8036	0338036000	80" x 36" x 36"	H-Brace	0	280
CSDT8036S1	0338036100	80" x 36" x 36"	shelf	0	300
CSDT9244	0339244000	92" x 44" x 36"	H-Brace	0	400
CSDT9244S1	0339244100	92" x 44" x 36"	shelf	0	440

Options: Full length overshef, casters.
 Four legs furnished on 68" long tables; all others have six legs.
 Utility Drawers



INSTRUMENT TABLES						
Model No.	Part No.	Dimensions (WxDxH) (cm)			Description	Ship Wt. (lb) est.
7829SS	0117829000	30" (76.20)	16" (40.64)	34" (86.36)	instrument table with shelf	40*
7830SS	0117830000	20" (50.80)	16" (40.64)	34" (86.36)	instrument table with shelf	32*
7831SS	0117831000	33" (83.82)	18" (45.72)	34" (86.36)	instrument table with shelf	47
7832SS	0117832000	36" (91.44)	20" (50.80)	34" (86.36)	instrument table with shelf	52
7833SS	0117833000	36" (91.44)	24" (60.96)	34" (86.36)	instrument table with shelf	56
7834SS	0117834000	48" (121.92)	20" (50.80)	34" (86.36)	instrument table with shelf	66
7835SS	0117835000	48" (121.92)	24" (60.96)	34" (86.36)	instrument table with shelf	69
7836SS	0117836000	60" (152.40)	24" (60.96)	34" (86.36)	instrument table with shelf	133
7837SS	0117837000	72" (182.88)	24" (60.96)	34" (86.36)	instrument table with shelf	141
7839SS	0127839000	30" (76.20)	16" (40.64)	34" (86.36)	instrument table with H-brace	33*
7840SS	0127840000	20" (50.80)	16" (40.64)	34" (86.36)	instrument table with H-brace	28*
7841SS	0127841000	33" (83.82)	18" (45.72)	34" (86.36)	instrument table with H-brace	39
7842SS	0127842000	36" (91.44)	20" (50.80)	34" (86.36)	instrument table with H-brace	42
7843SS	0127843000	36" (91.44)	24" (60.96)	34" (86.36)	instrument table with H-brace	48
7844SS	0127844000	48" (121.92)	20" (50.80)	34" (86.36)	instrument table with H-brace	53
7845SS	0127845000	48" (121.92)	24" (60.96)	34" (86.36)	instrument table with H-brace	56
7846SS	0127846000	60" (152.40)	24" (60.96)	34" (86.36)	instrument table with H-brace	106
7847SS	0127847000	72" (182.88)	24" (60.96)	34" (86.36)	instrument table with H-brace	114
Consult Factory 800-247-5070		All instrument tables come standard 34"H. 40"H tables are available upon request				
NESTED INSTRUMENT TABLES						
7821SS	0137821000	Complete set of six				300
7822SS	0137822000	48" (121.92)	24" (60.96)	42" (106.68)		110
7823SS	0137823000	44" (111.76)	22" (55.88)	40" (101.60)		90
7824SS	0137824000	40" (101.60)	20" (50.80)	38" (96.52)		80
7825SS	0137825000	36" (91.44)	18" (45.72)	36" (91.44)		60
7826SS	0137826000	32" (81.28)	16" (40.64)	34" (86.36)		50
7827SS	0137827000	28" (71.12)	14" (35.56)	32" (81.28)		40*
TRANSPORT TABLES FOR WARMING CABINETS						
3026SSH	0123026100	30" (76.20) x 26" (66.04) x 34" (86.36)			Mobile stand for table-top warming cabinets (models 7922TG/TS, 7925TG/TS, 7927TG/TS), with H-brace, guardrail around three sides, plus 3", ball-bearing, locking, swivel-type casters	50
3026SS	0113026000	30" (76.20) x 26" (66.04) x 34" (86.36)			Mobile stand for table-top warming cabinets (models 7922TG/TS, 7925TG/TS, 7927TG/TS), with shelf guardrail around three sides, plus 3", ball-bearing, locking, swivel-type casters	55
ANESTHESIA/UTILITY TABLES						
7850SS	0217850000	20" (50.80)	16" (40.64)	34" (86.36)	table with 1 drawer below	46*
7754SS	0227754000	20" (50.80)	16" (40.64)	34" (86.36)	table with 2 drawers below	59*
7857SS	0237857000	20" (50.80)	16" (40.64)	34" (86.36)	table with 3 drawers below	72*
7859SS	0247859000	20" (50.80)	16" (40.64)	34" (86.36)	table with 4 drawers below	82
7852SS	0257852000	20" (50.80)	16" (40.64)	34" (86.36)	table with guard rail on 4 sides	31*
7856SS H-Brace	0317856000	36" (91.44)	20" (50.80)	34" (86.36)	table with 2 drawers side by side	78
7856SH Shelf	0317856003	36" (91.44)	20" (50.80)	34" (86.36)	table with 2 drawers side by side	81

* Items can be shipped via FedEx® Ground delivery service.



FedEx service marks used by permission.



ADJUSTABLE HEIGHT INSTRUMENT TABLES

Model No.	Part No.	Dimensions (WxDxH)	Description	Ship Wt. (lb) est.
7892SS-0	0157892000	36" (91.44) 20" (50.80) 36" (91.44)-56" (142.24)	w/ crank handle	140
7893SS-0	0157893000	36" (91.44) 24" (60.96) 36" (91.44)-56" (142.24)	w/ crank handle	150
7895SS-0	0157895000	48" (121.92) 24" (60.96) 36" (91.44)-56" (142.24)	w/ crank handle	160
7896SS-0	0157896000	34" (86.36) 46" (116.84) 36" (91.44)-56" (142.24)	w/ crank handle	175

WORK TABLES

CSDT6830	0336830000	68" (172.72) 30" (76.20) 36" (91.44)	table with H-brace, no drawers	240
CSDT6830S1	0336830100	68" (172.72) 30" (76.20) 36" (91.44)	table with shelf, no drawers	260
CSDT8036	0338036000	80" (203.20) 36" (91.44) 36" (91.44)	table with H-brace, no drawers	280
CSDT8036S1	0338036100	80" (203.20) 36" (91.44) 36" (91.44)	table with shelf, no drawers	300
CSDT9244	0339244000	92" (233.68) 44" (111.76) 36" (91.44)	table with H-brace, no drawers	400
CSDT9244S1	0339244100	92" (233.68) 44" (111.76) 36" (91.44)	table with shelf, no drawers	440

MOTORIZED STRADDLE ADJUSTABLE HEIGHT INSTRUMENT TABLES

Model No.	Part No.	Width	Depth:	Hgt. Adjustment	Description	Ship Wt. (lb) est.
7901SS-M	0157901000	50.50"	24"	38.75" - 58"	Motorized Straddle Adjustable-Height Instrument Tables	280
7902SS-M	0157902000	41.00"	46"	38.75" - 58"	Motorized Straddle Adjustable-Height Instrument Tables	325



500 US Highway 46 East, Clifton, NJ 07011 • 800-247-5070 • Fax: 973-330-0594
 e-mail: info@blickman.com • www.blickman.com